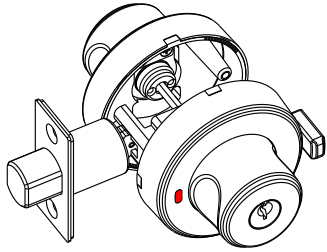


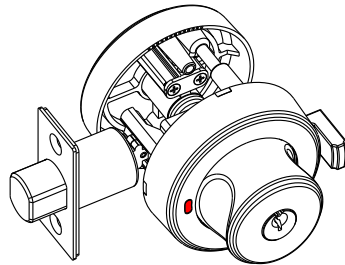
Integrative Deadbolt



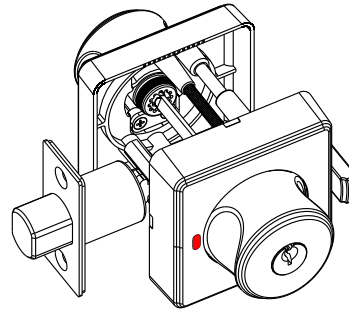
- Innovations on deadbolt lock for better functionality and performance
- Available colors including satin chrome and bright chrome, etc



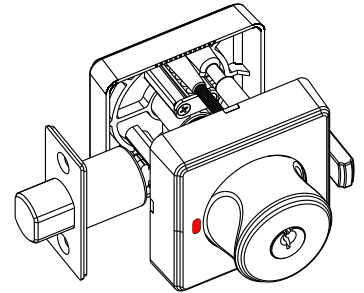
Round version:
Double cylinder +
double handle



Round version:
Double cylinder +
single handle



Square version:
Double cylinder +
double handle



Square version:
Double cylinder +
single handle

The AST patented Integrative Deadbolt perfectly meets your quality life style with innovative design concept like non re-handed, aesthetic and functionality. It is made of high strength zinc alloy and meets 10 years quality warranty. To fulfill different functional needs, the handle, sliding snib, dead locking indication and C4 profile cylinder are integrated. Two types of outside furniture set are tooled for different preferences, one is flat as current market products (with handle on inside furniture set) and another one is with handle on both inside and outside furniture.

Key features:

- Made of high strength zinc alloy
- Non re-handed
- Interchangeable backset of 60mm and 70mm, defaulted 60mm
- C4 profile of brass cylinder, 5-pin
- Different functional options: snib locking and dead locking
- Lifecycle tested 100k and NSS tested 240 hrs per relevant AS standards
- Serration on rosette for better fixing of installation to door panel
- Suitable for big range of door thickness without packer: 35~48mm
- Indication of locking status (red/green)
- Bolt projection 18mm

